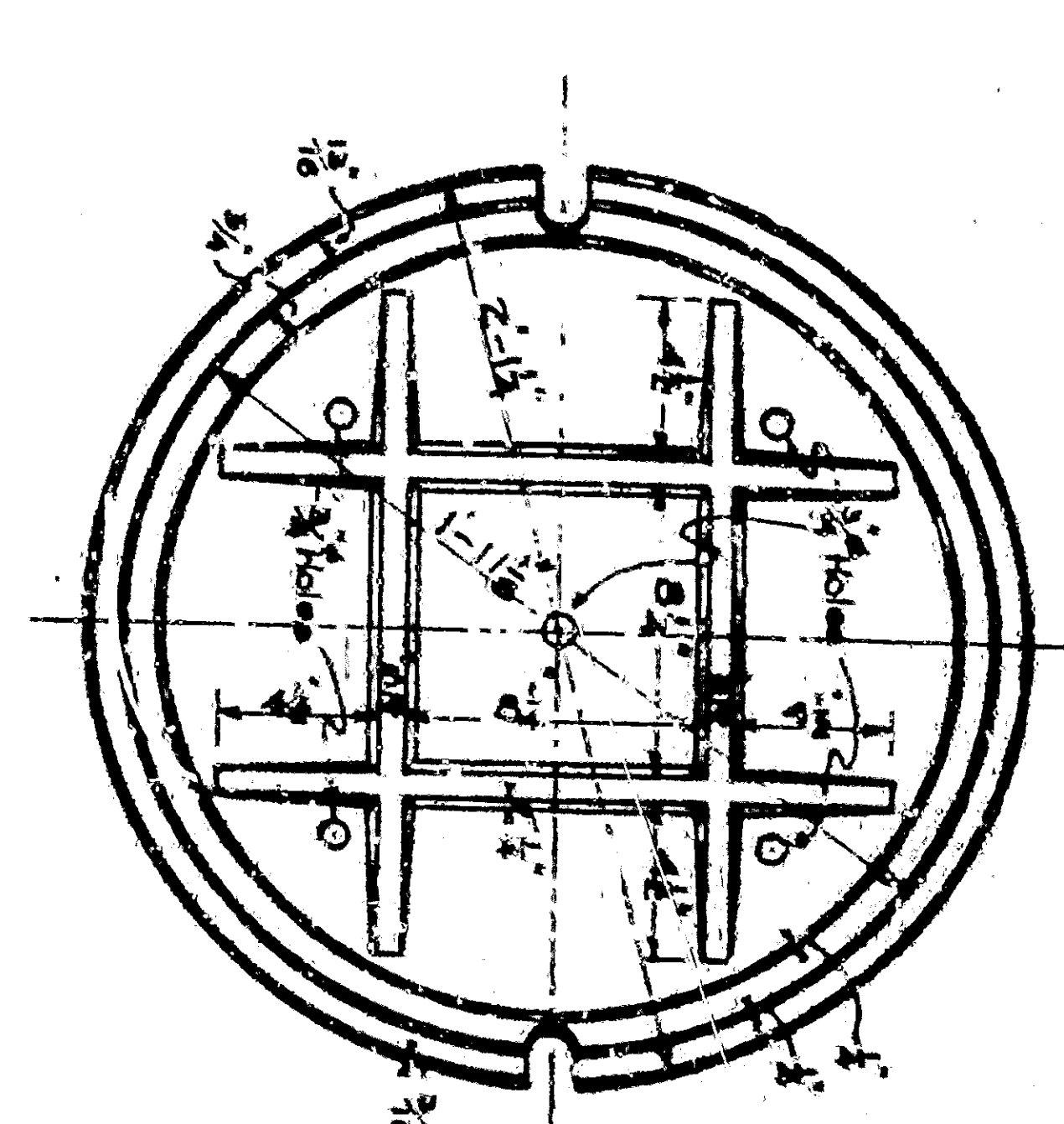
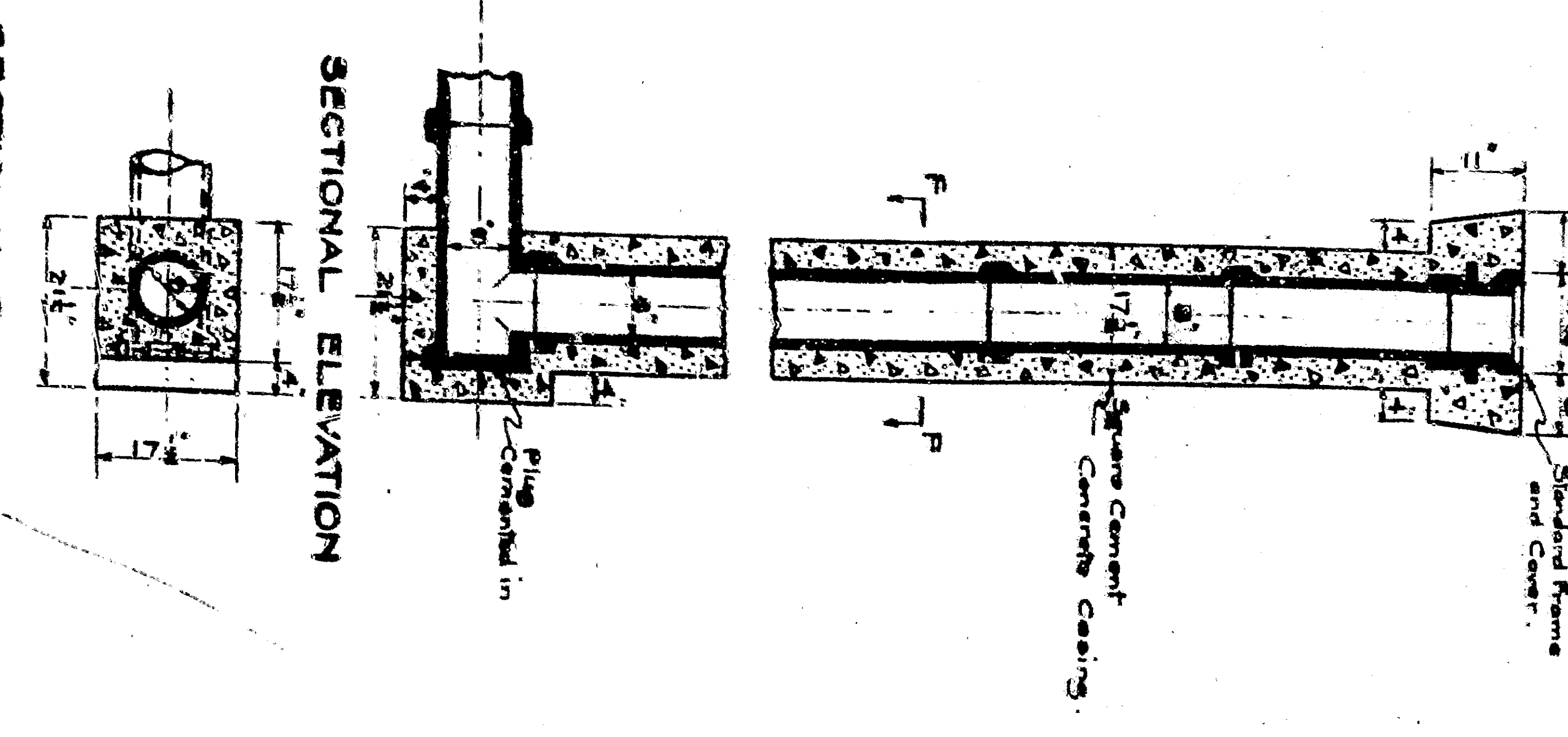
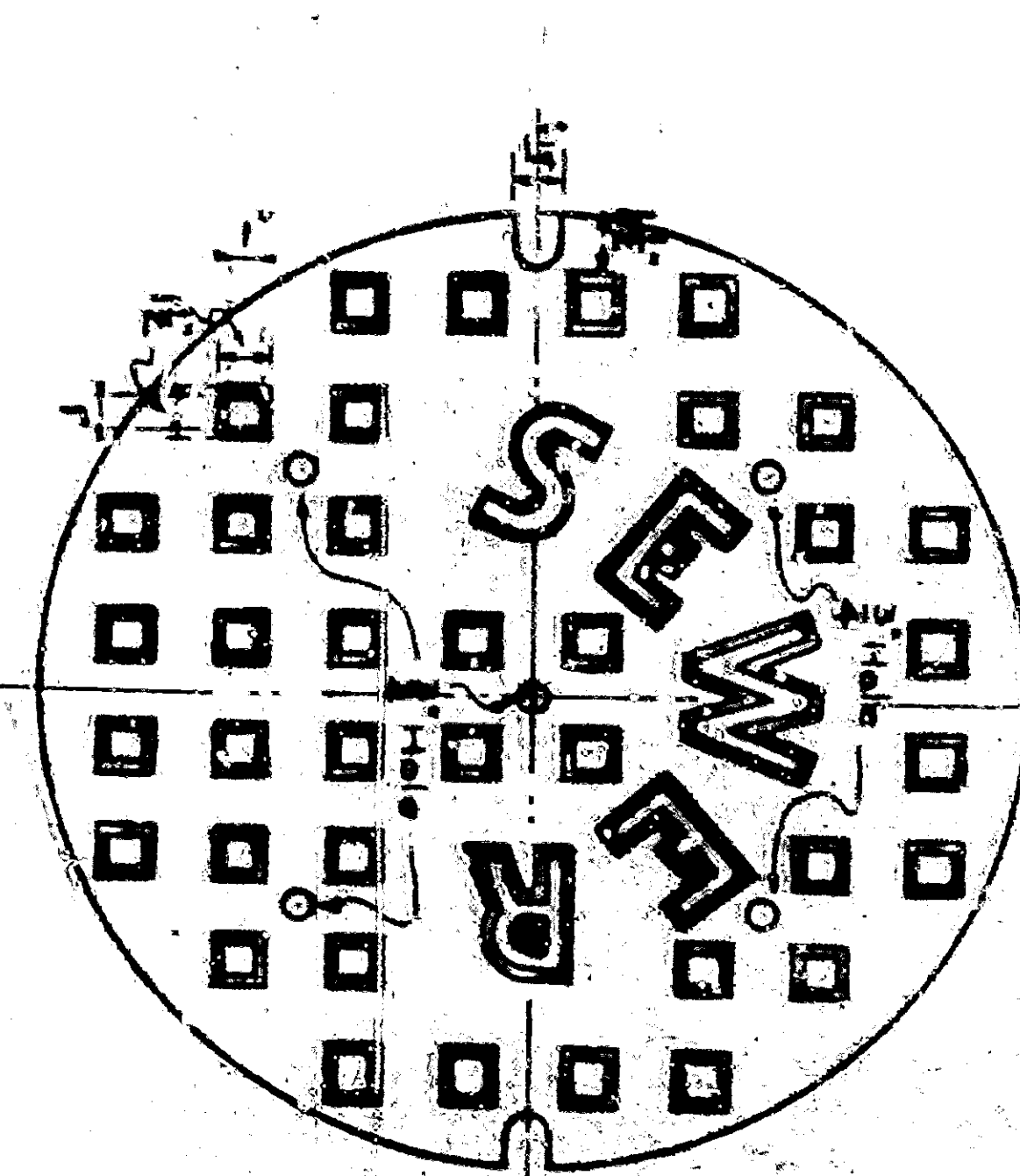
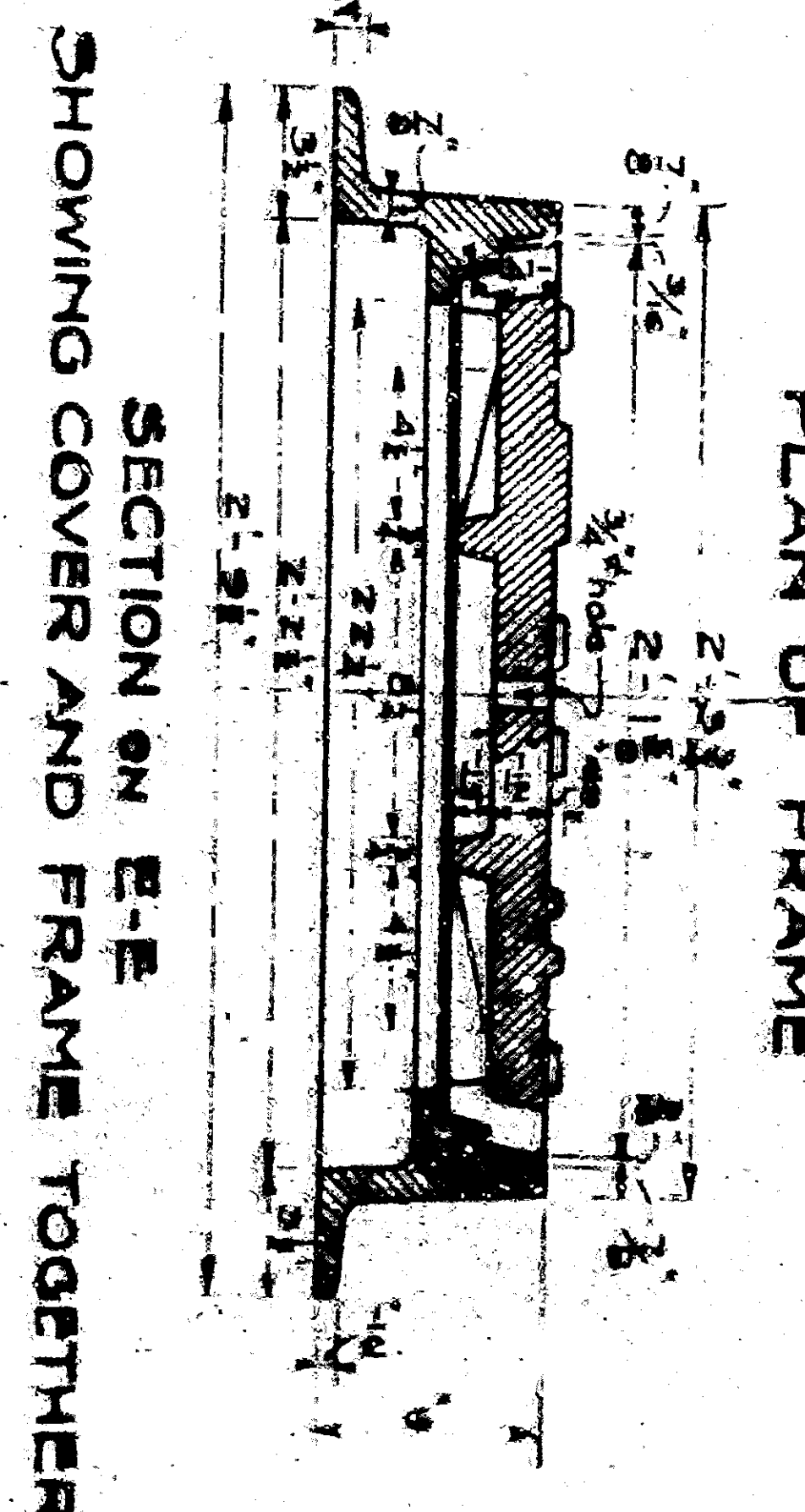
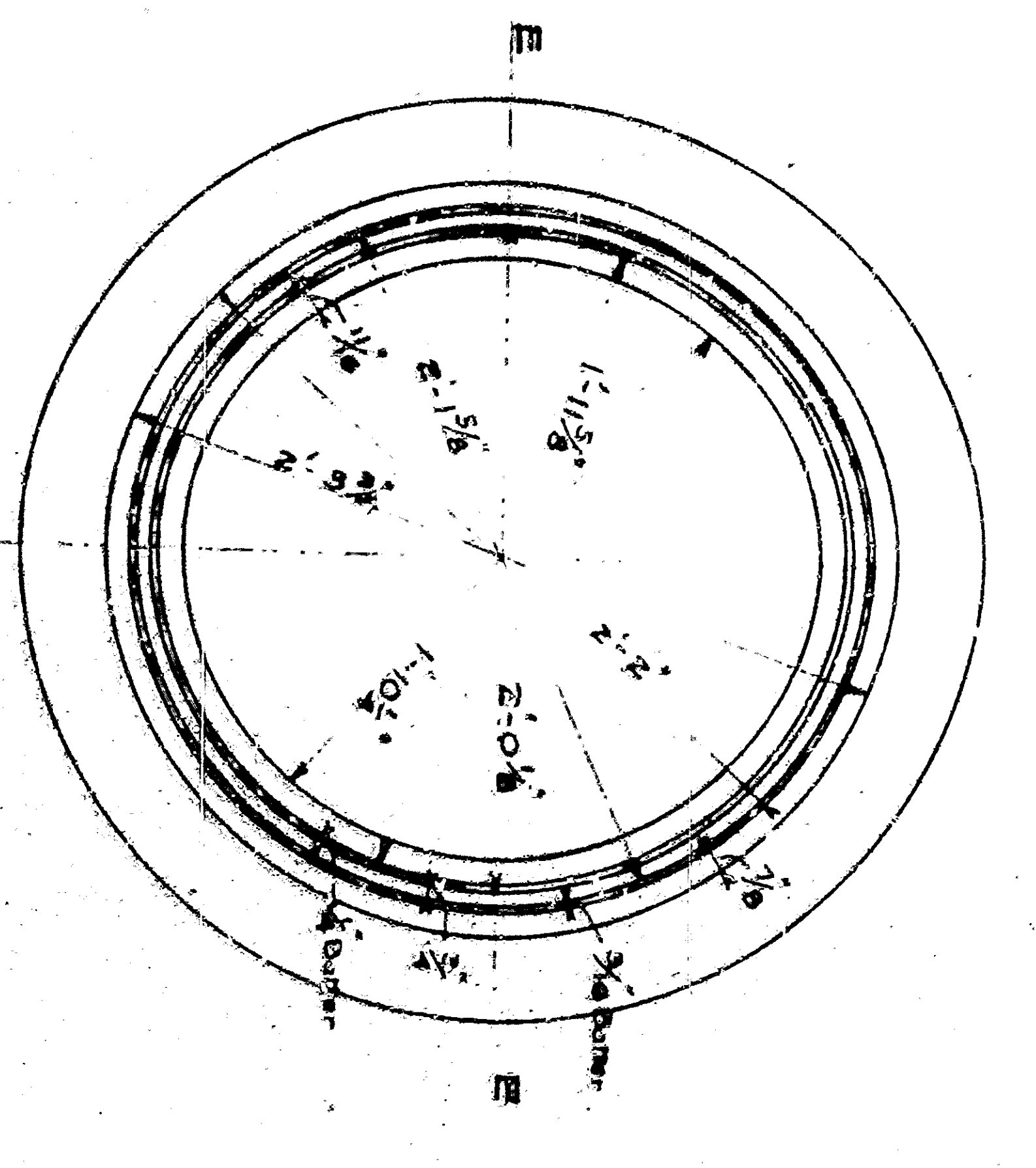
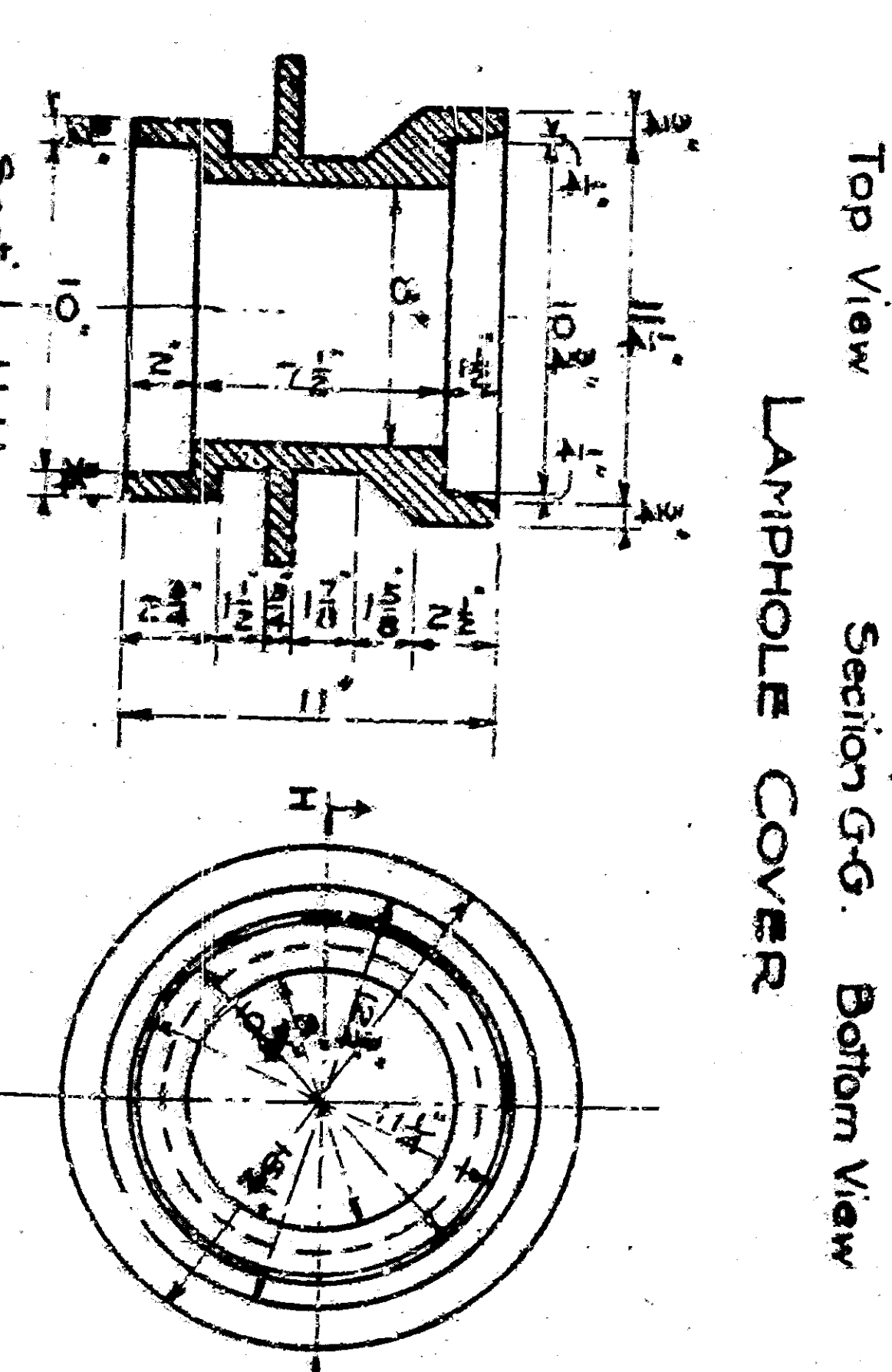
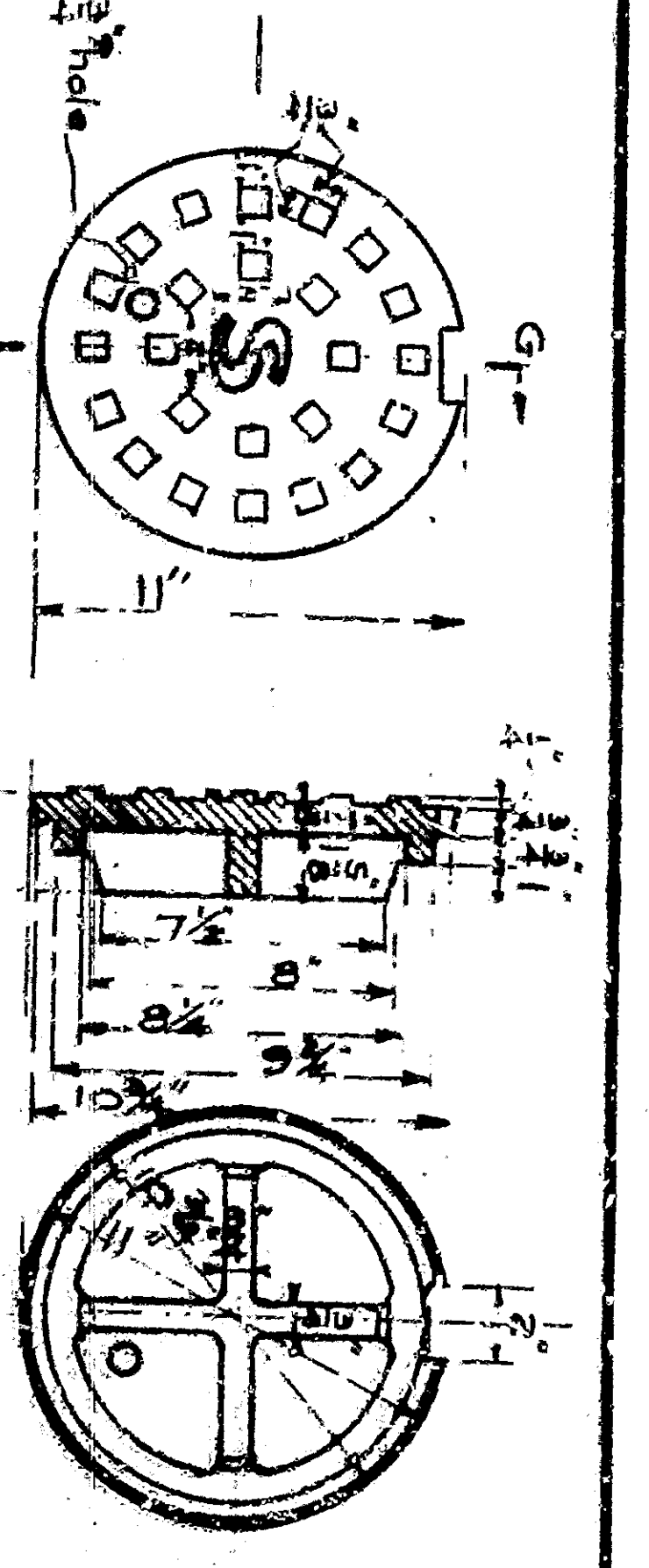
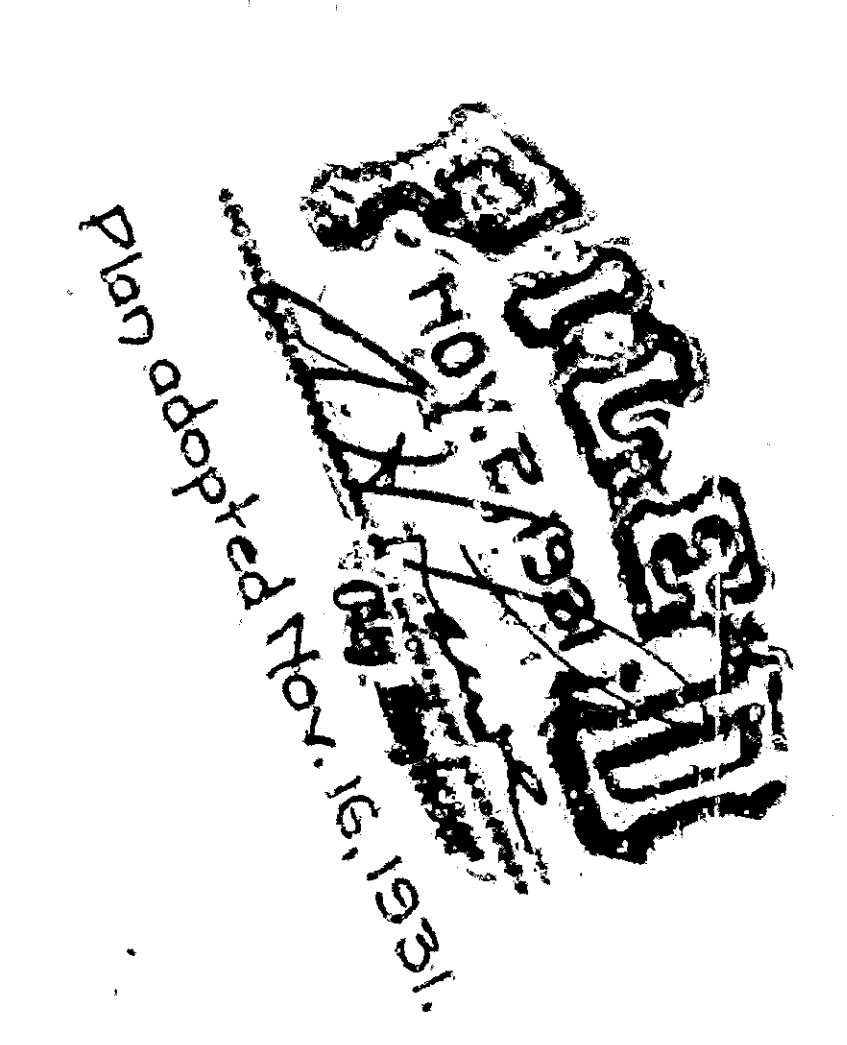


*Not Continued*



STANDARD  
BRICK MANHOLE  
Scale - 3/4" = 1'-0"

STANDARD  
BRICK FLUSH-TANK  
Scale - 3/4" = 1'-0"

SECTIONAL PLAN ON P-P.  
STANDARD LAMP HOLE  
Scale - 3/4" = 1'-0"

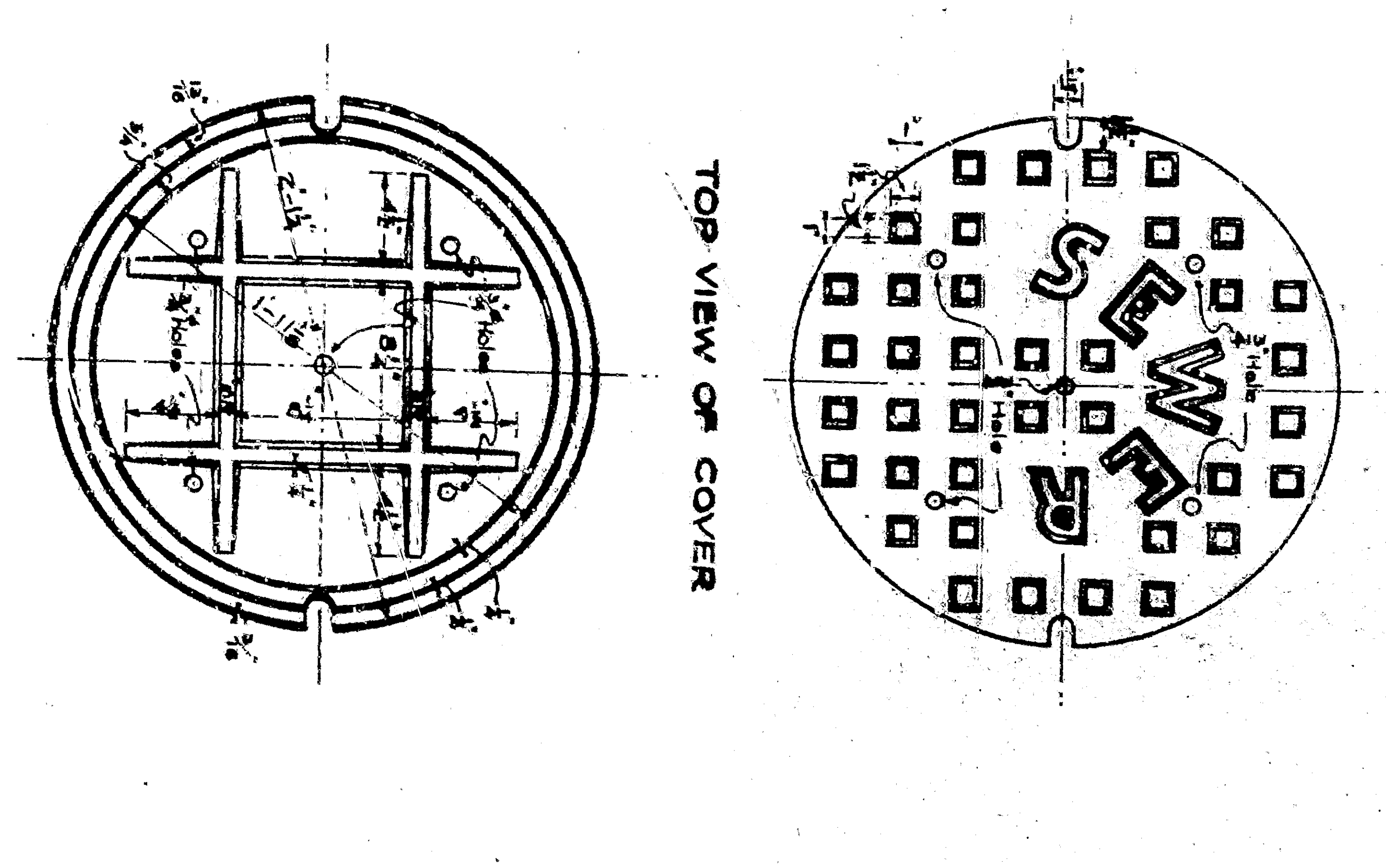
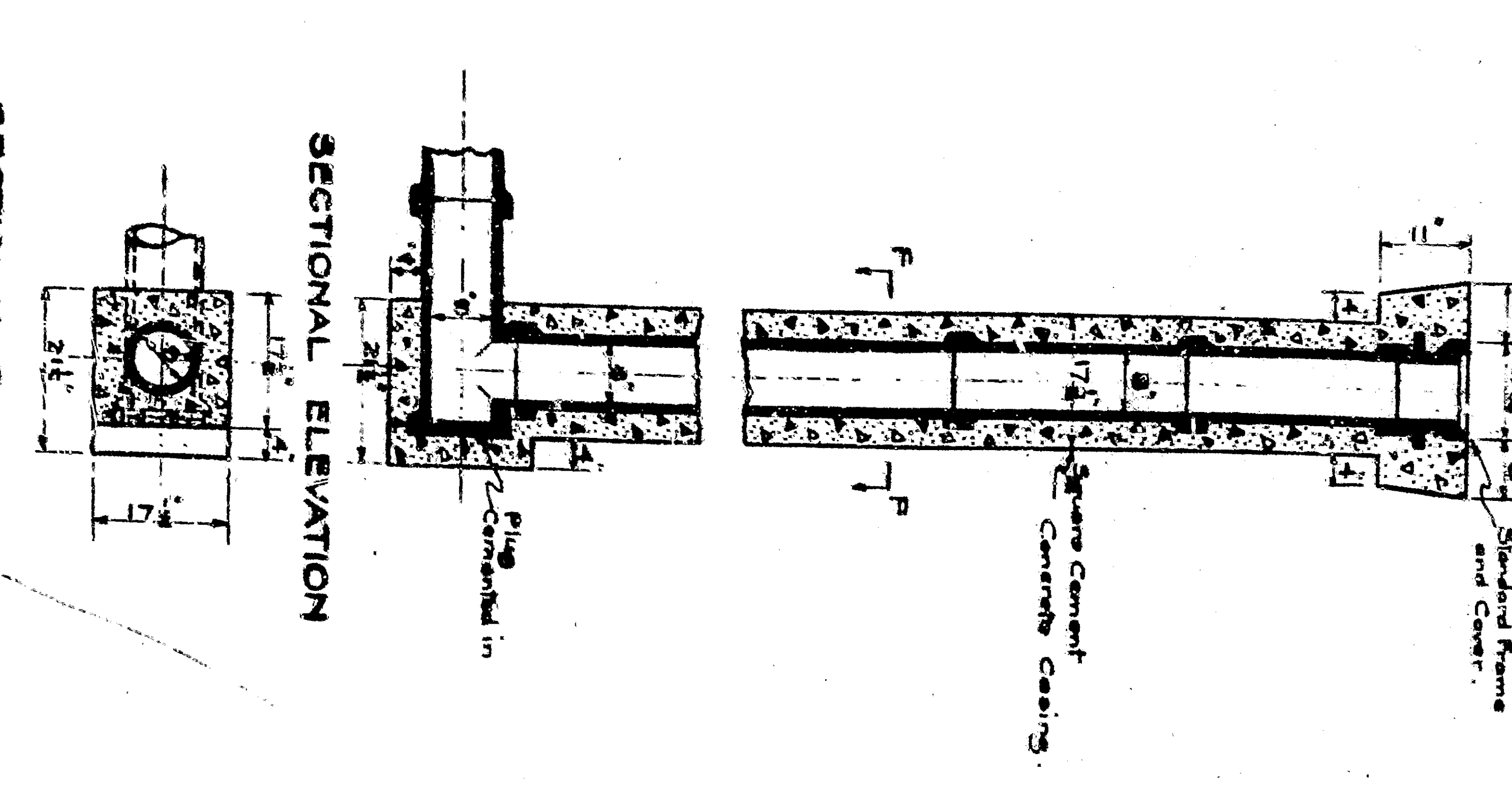
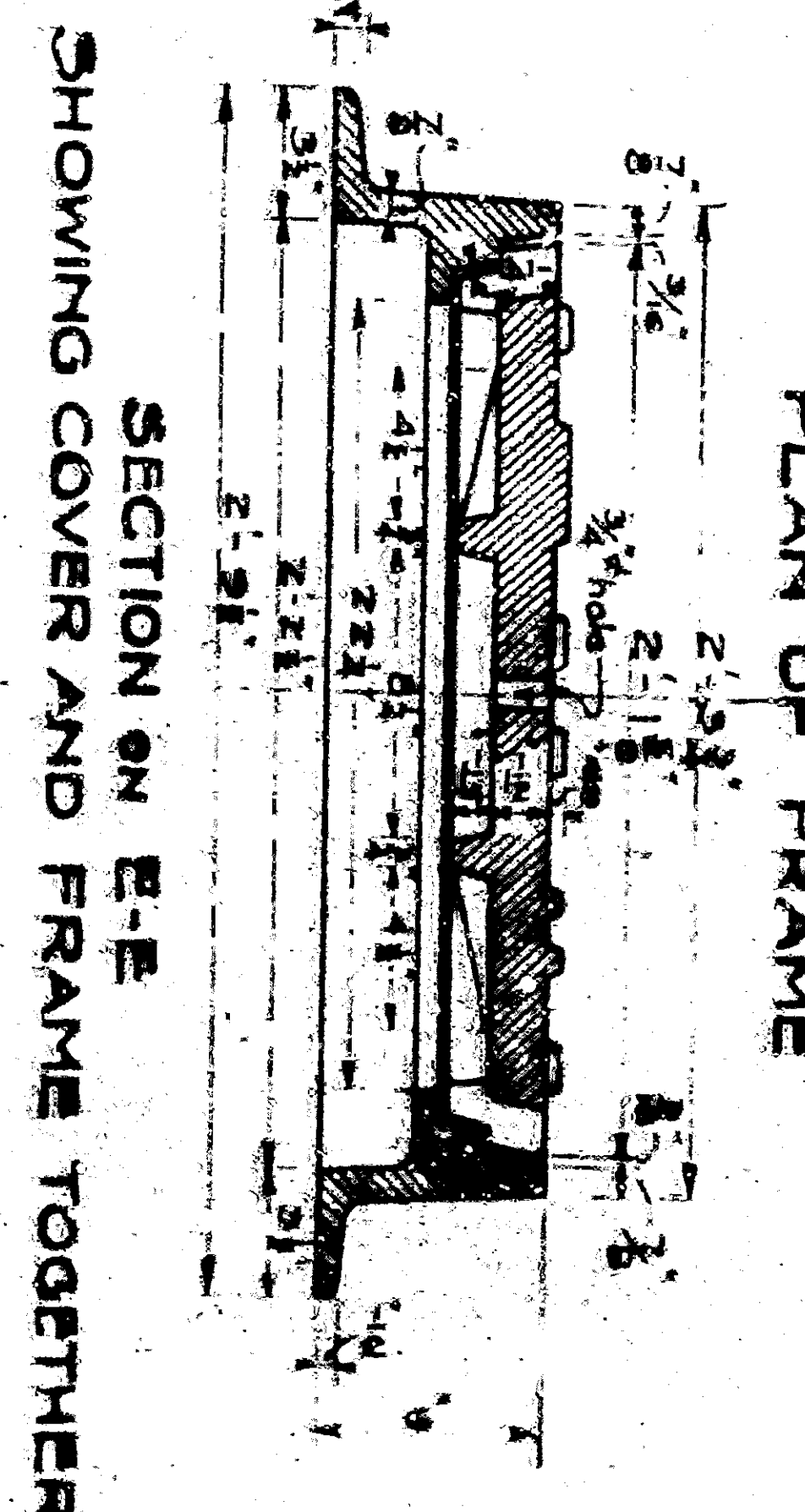
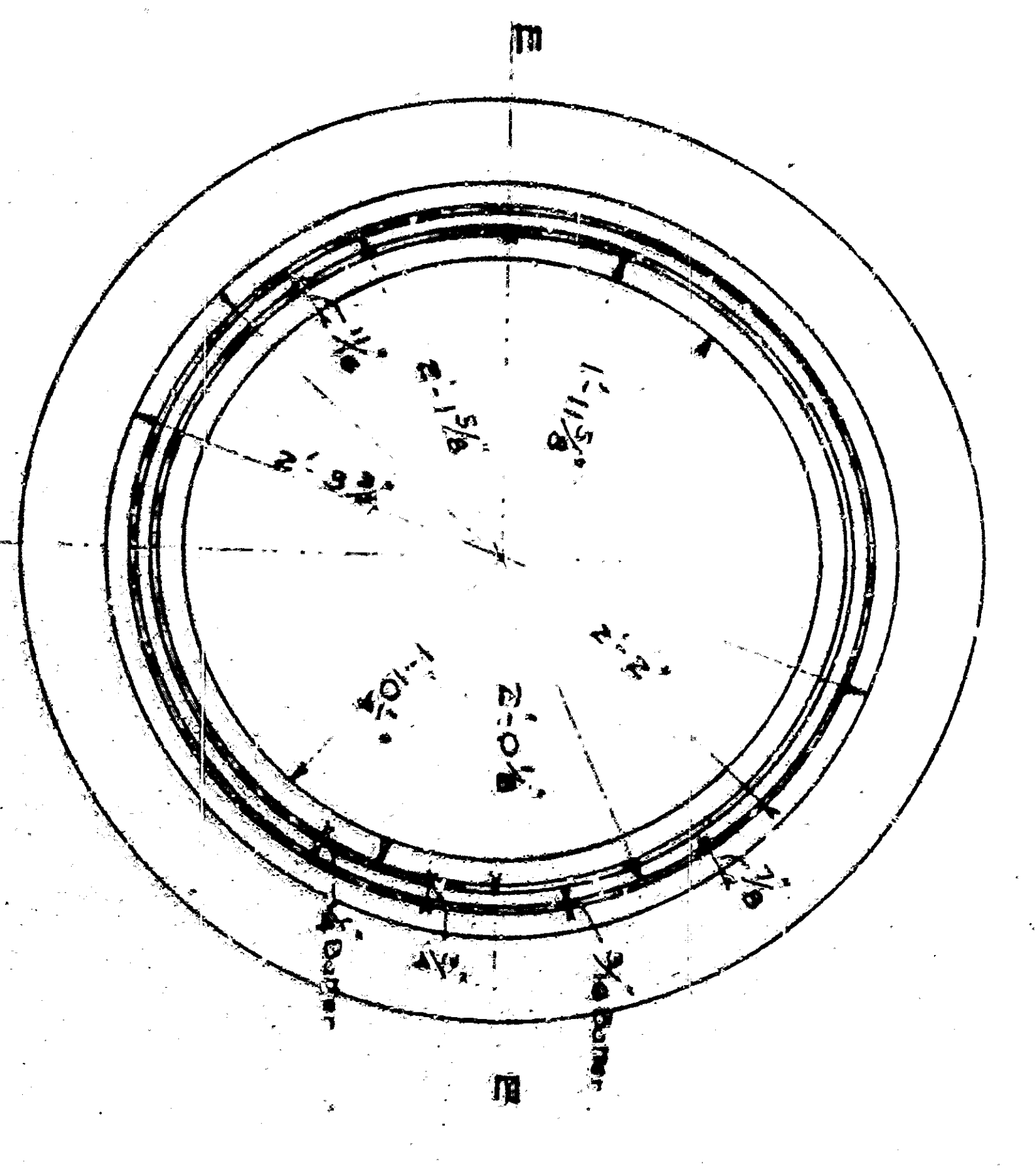
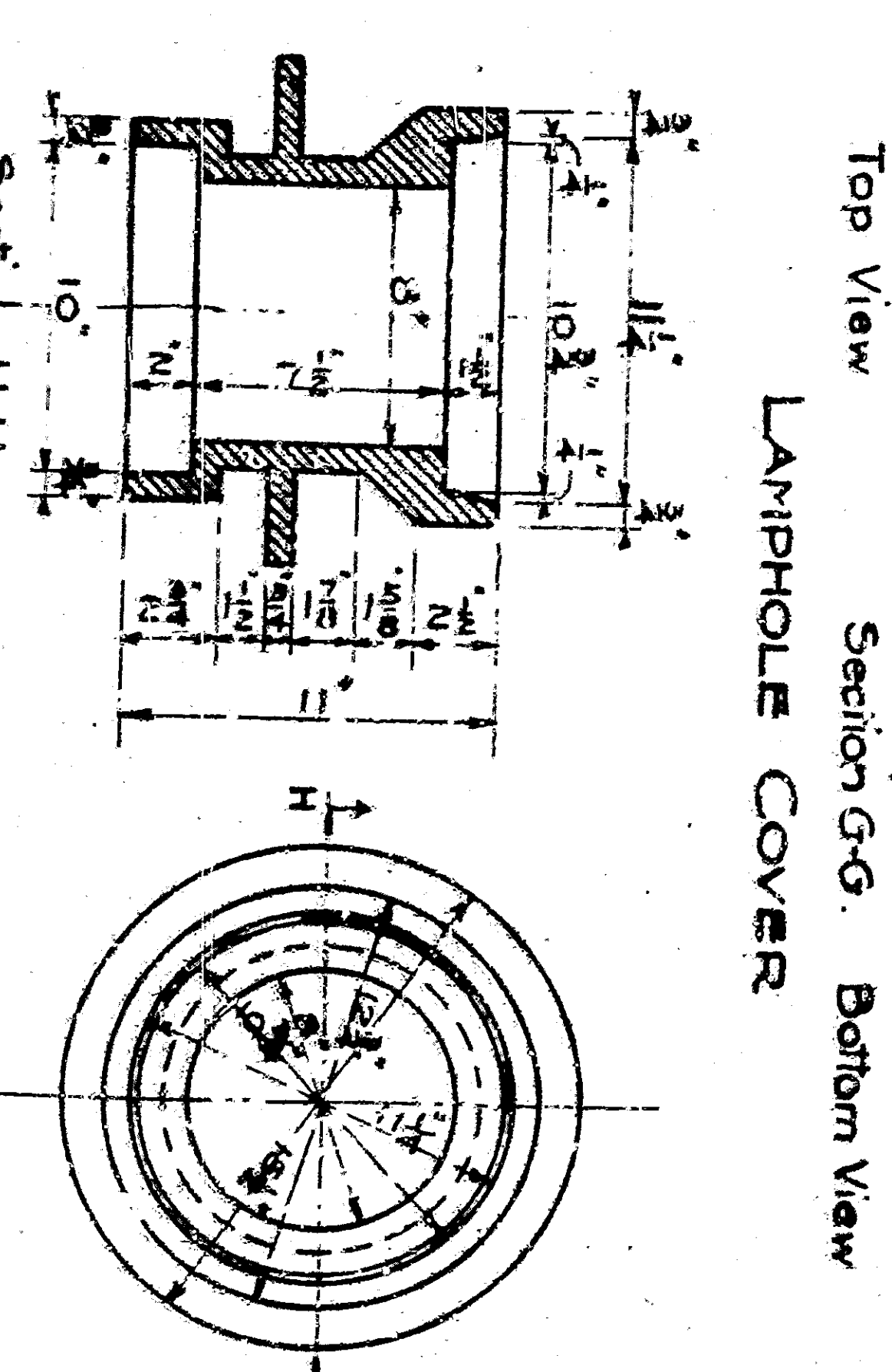
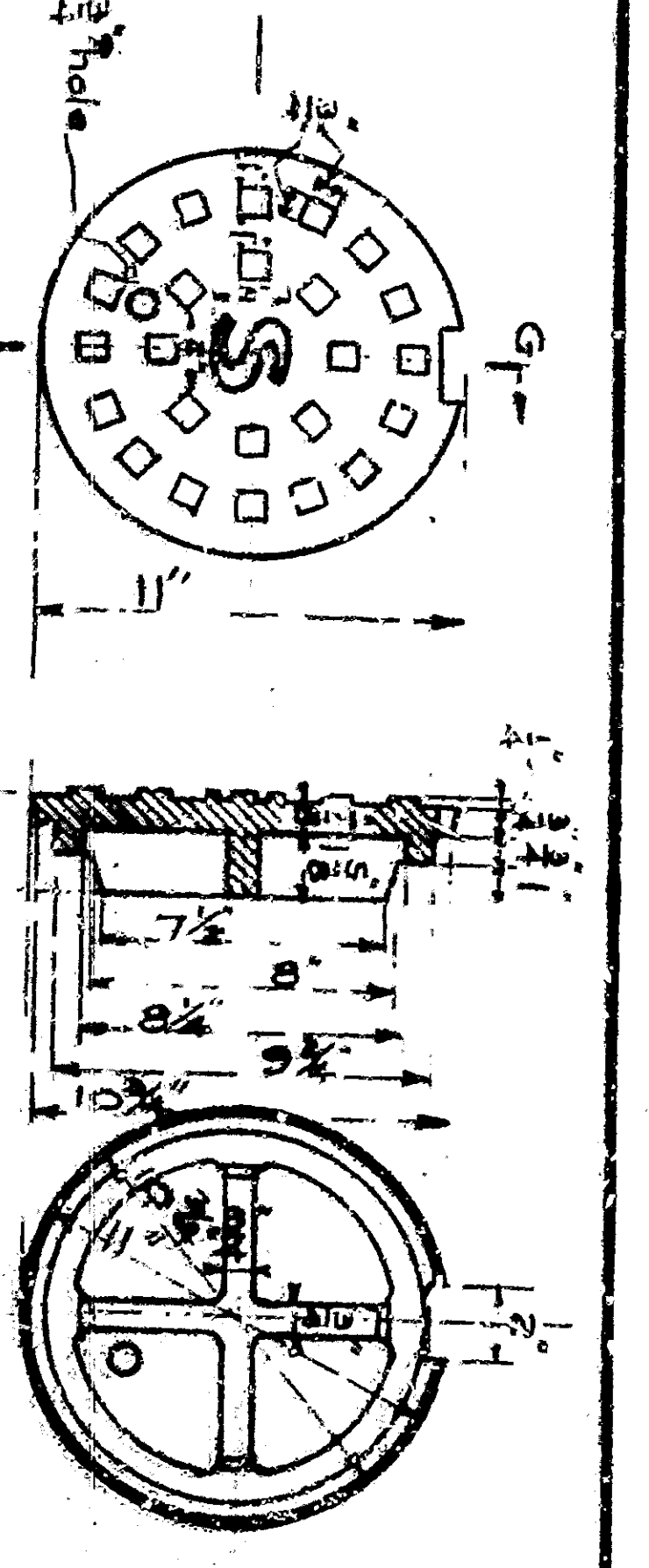
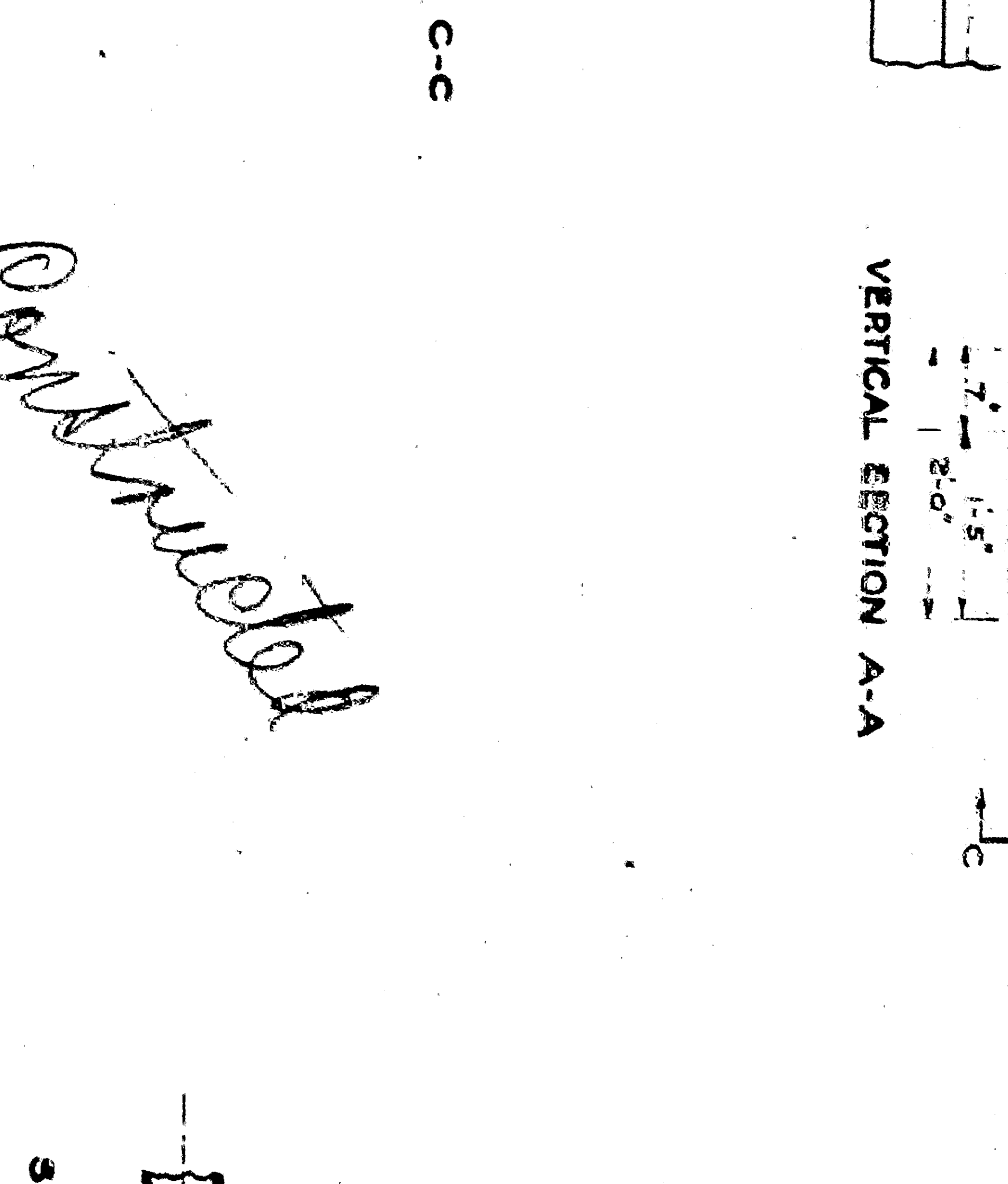
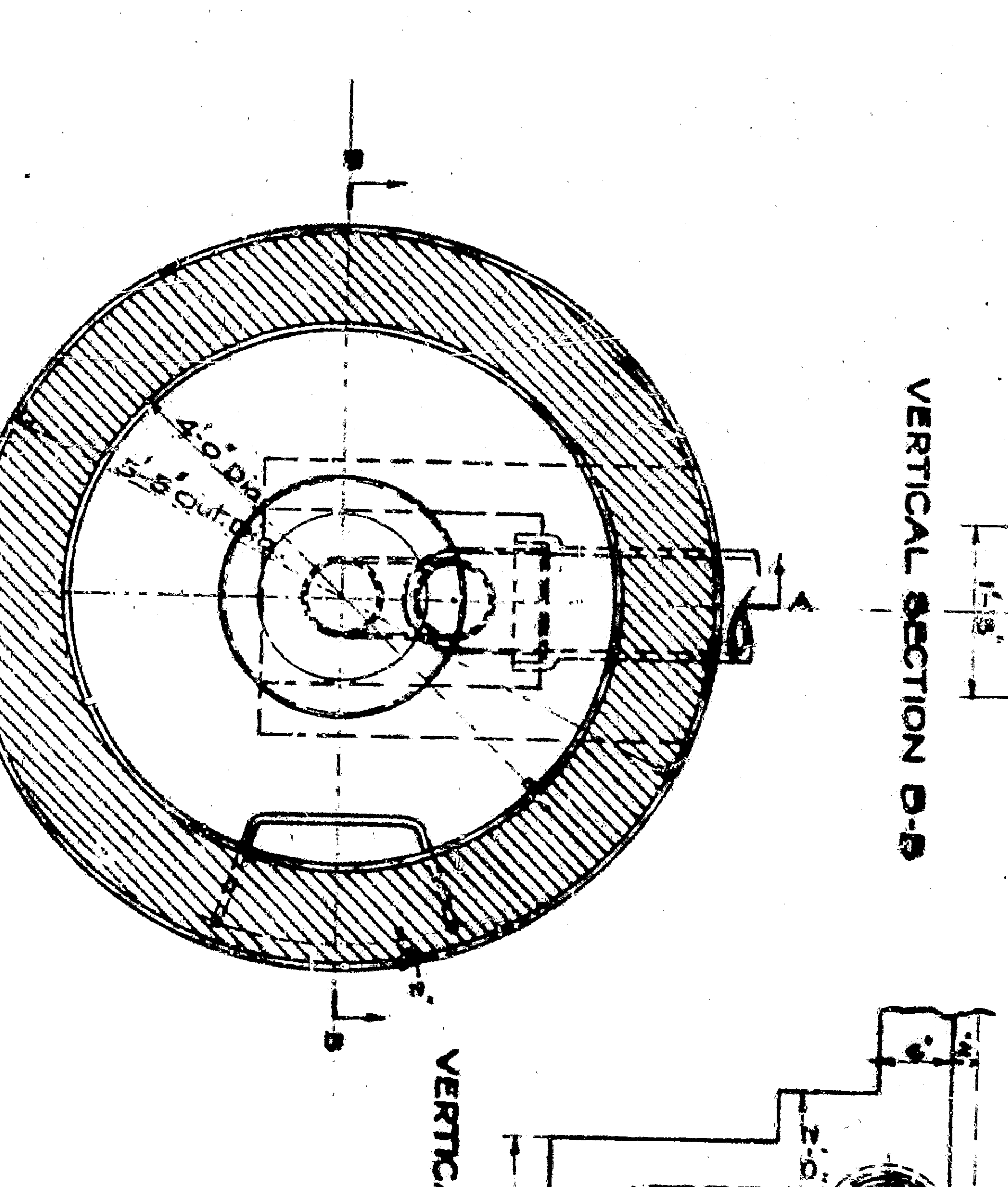
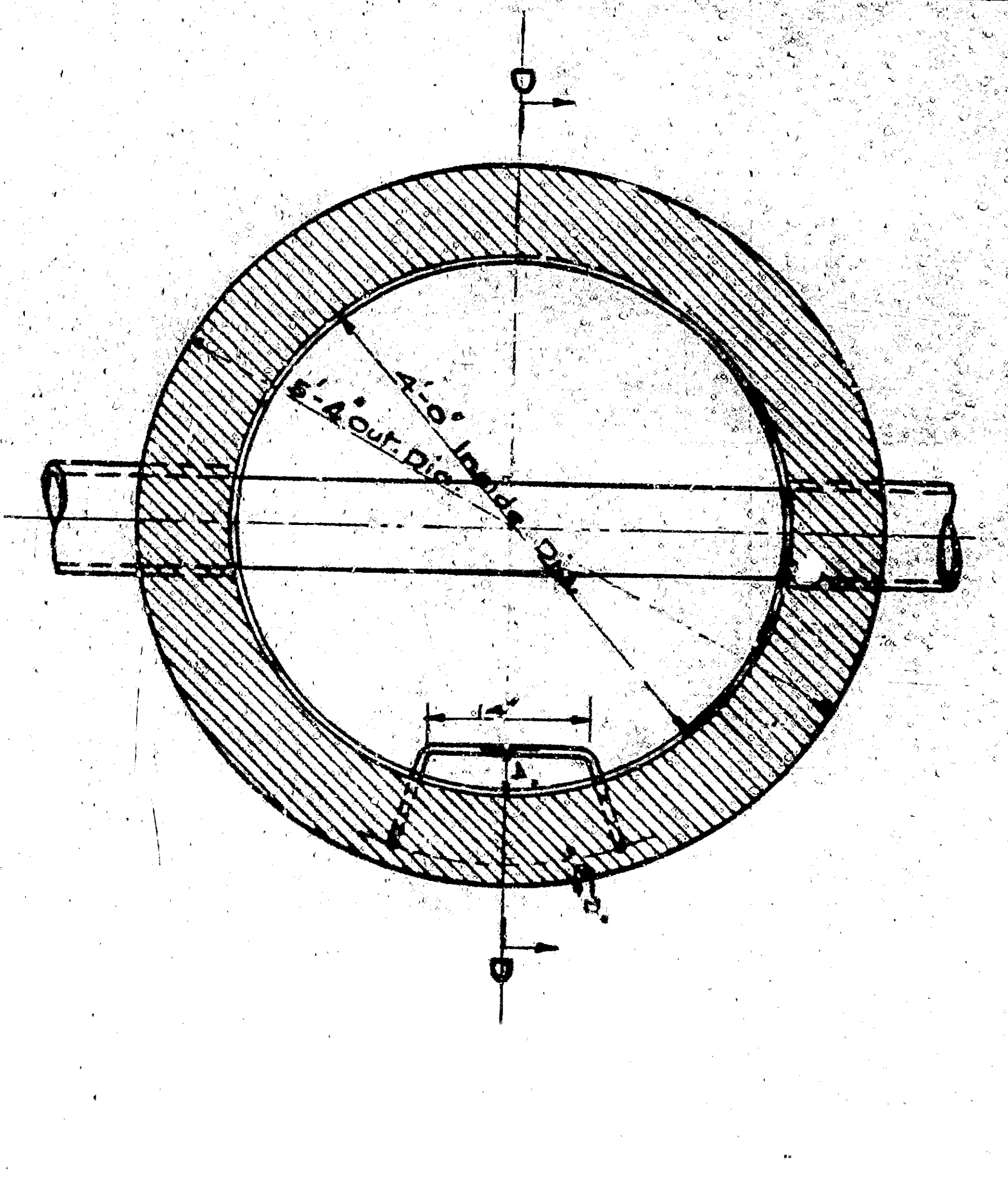
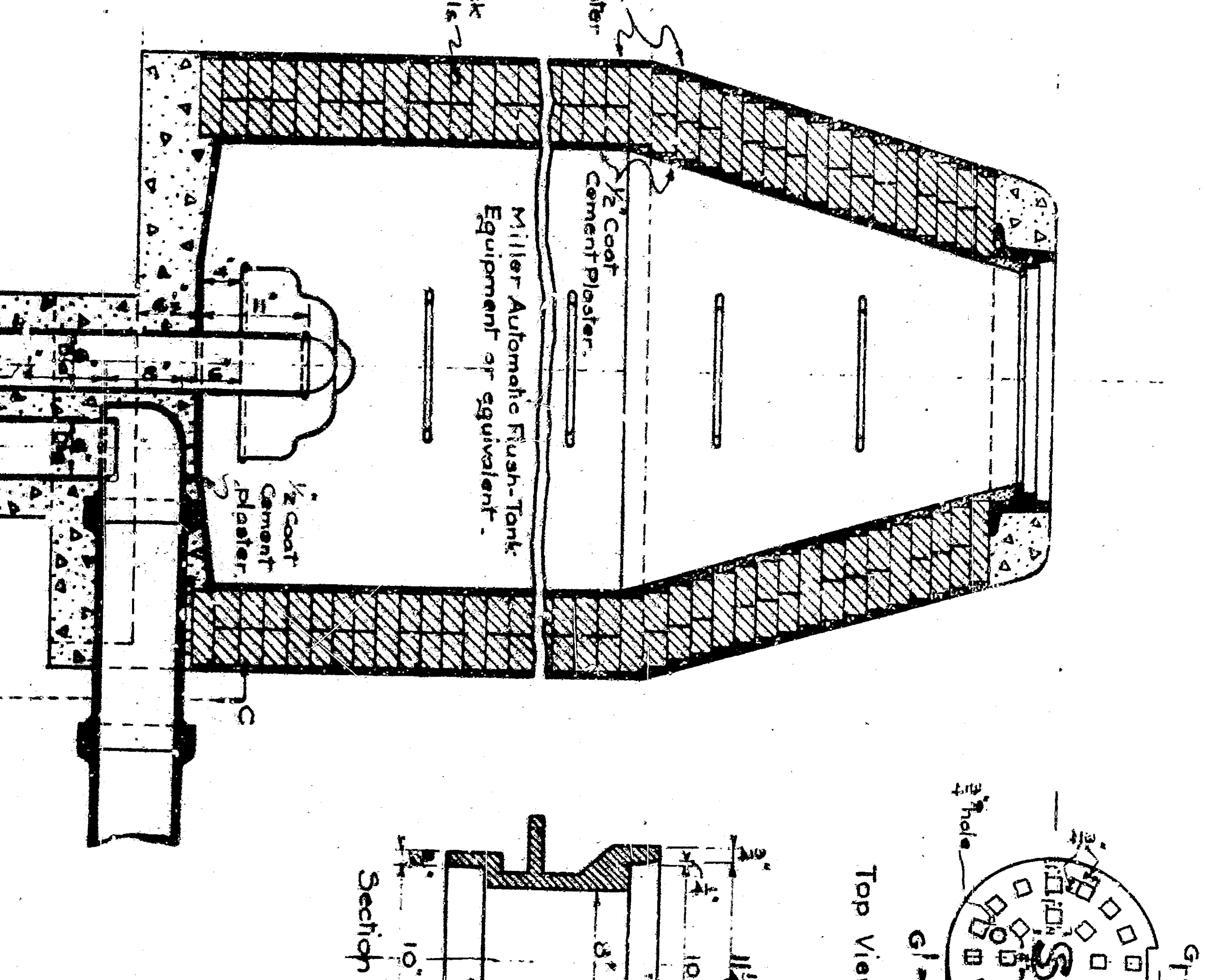
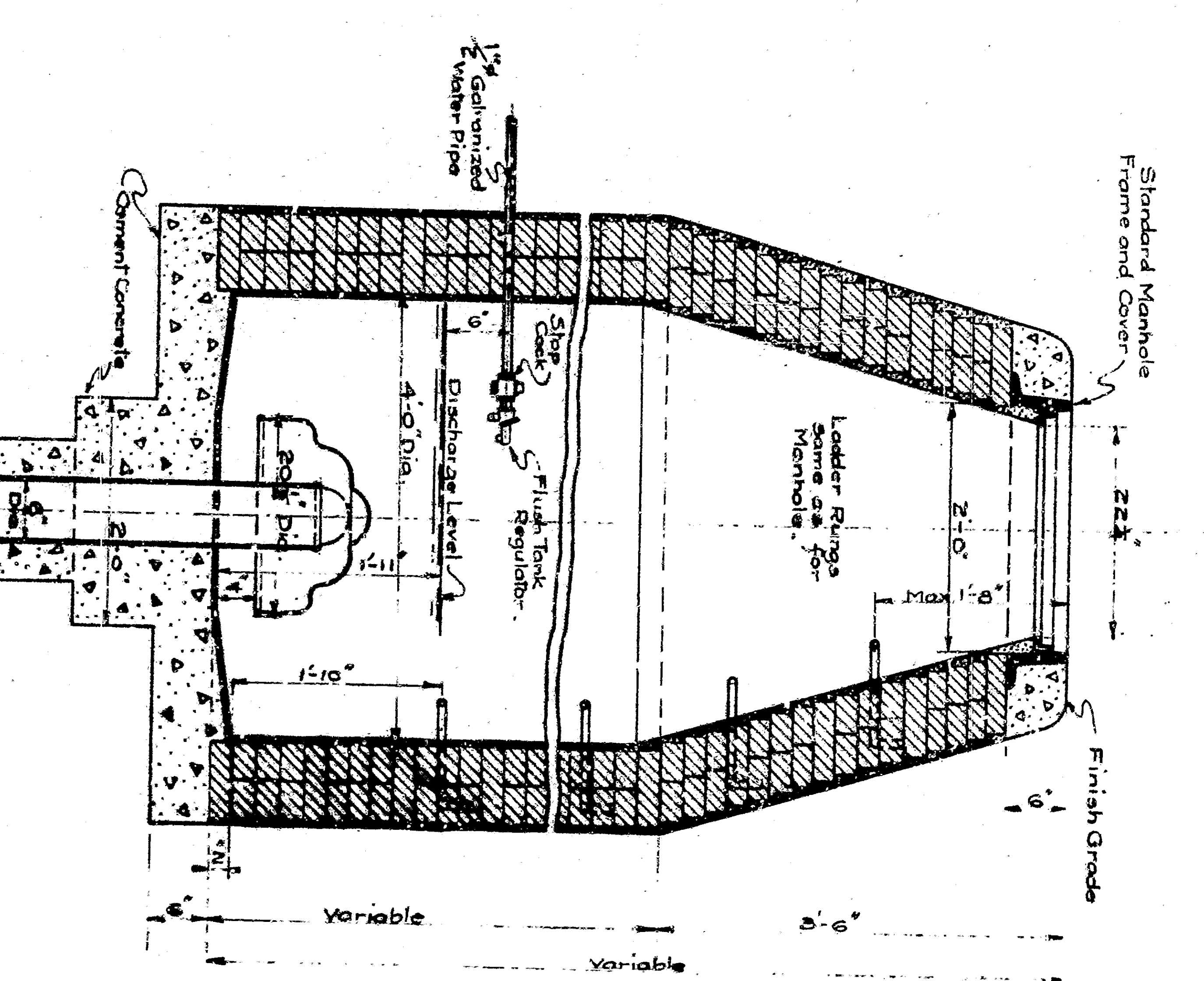
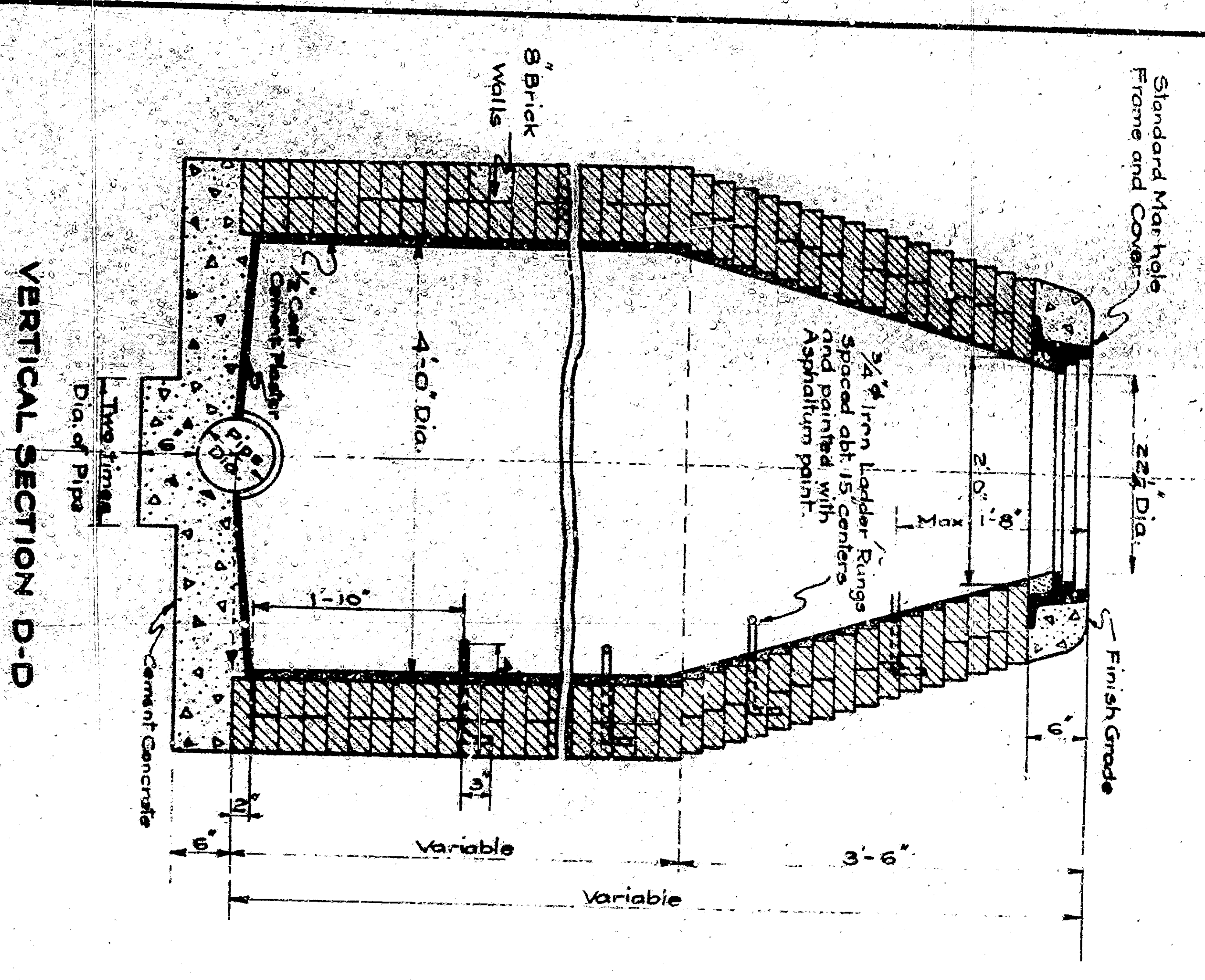
BOTTOM VIEW OF COVER  
STANDARD MANHOLE FRAME & COVER  
Scale - 1/2" = 1'-0"

DETAILS OF  
STANDARD MANHOLE, FLUSH-TANK AND LAMP HOLE  
CITY OF SAN BERNARDINO  
CALIFORNIA

SHEET NO. 10  
PLAN NO. 107E

November 1930

A.H. LOW  
C.E.



STANDARD  
BRICK MANHOLE  
Scale: 3/4" = 1'-0"

STANDARD  
BRICK FLUSH-TANK  
Scale: 3/4" = 1'-0"

STANDARD MANHOLE, FLUSH-TANK AND LAMP HOLE  
CITY OF SAN BERNARDINO  
CALIFORNIA

SHEET NO. 10  
PLAN NO. 107E

November 1930

A. H. LOW  
CIVIL ENGINEER

*Not Continued*

